

## BCU - Blower Control Unit

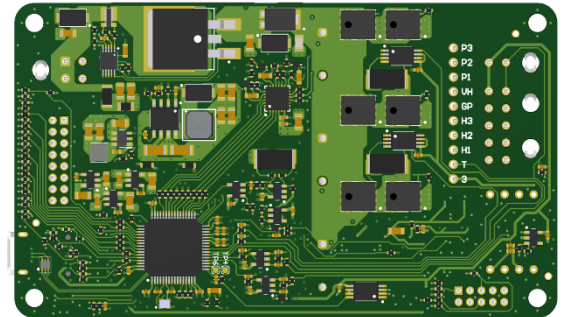
Blower controller designed specifically for respiratory devices

### State-of-the-art ventilation performance

- The BCU reduces the need for advanced control design as it delivers the requested pressure, volume, or flow accurately.

### Easy integration into new and existing designs

- The BCU can be integrated into any respiratory device using a blower.
- A standard serial communication interface allows for smooth integration.



### Compatible with any turbine

- The built in Field Oriented Control (FOC) unleashes the full potential of any BLDC blower.
- The BCU can control blowers without hall sensors by utilizing on-board sensor-less speed estimation.

### Safety

- The BCU monitors critical functions, which enables easy system integration and compliance with medical device safety requirements.

Please contact us for more information!

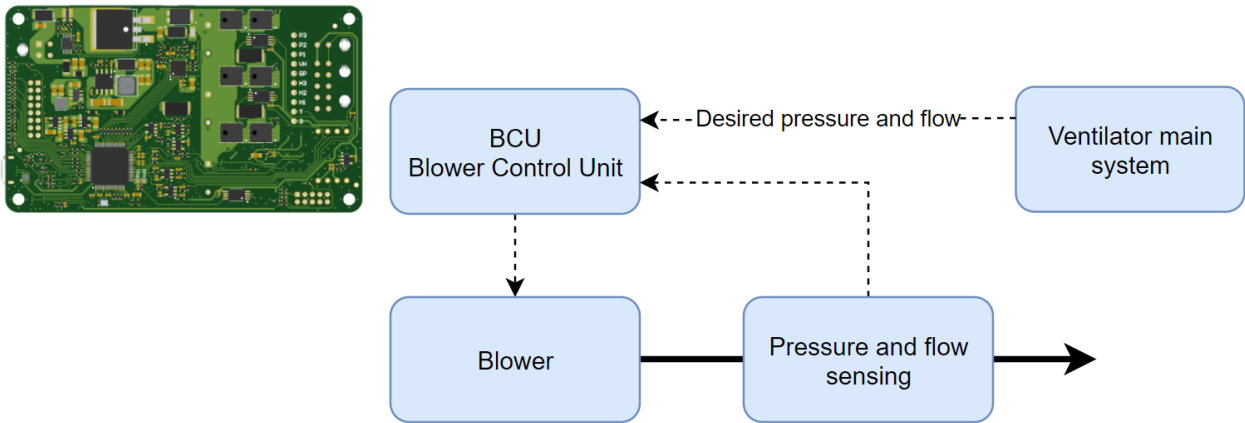
#### Spirotronic AB

Grevgatan 34  
114 53 Stockholm  
Sweden

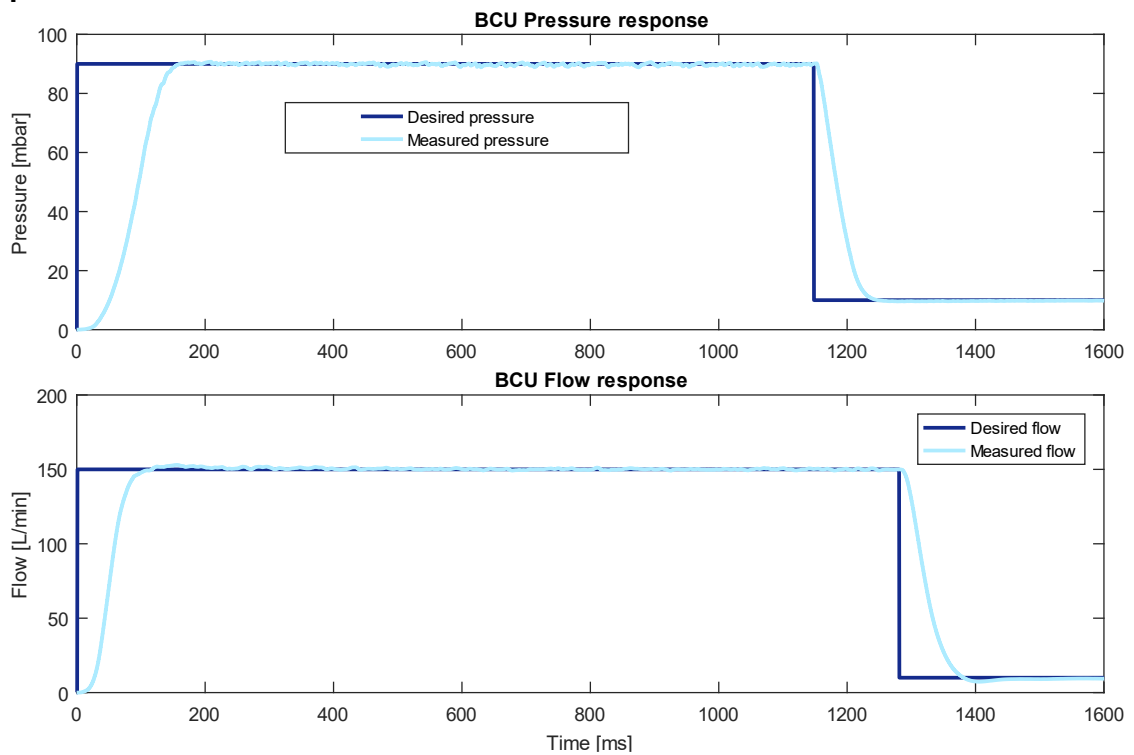
[info@spirotronic.com](mailto:info@spirotronic.com)

[www.spirotronic.com](http://www.spirotronic.com)

**System overview**



**Typical performance \***



\* Actual performance depends on selected blower and the system compliance.